

SINGLE YOKE CONTROLLER

KEY FEATURES

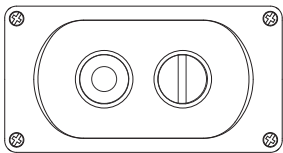


- Easily mounted to wall.
- Control each fan individually
- SkyBlade supplies you with 100 ft. of 6-core cable for installation
- Operate your fans in either forward (cooling) or reverse (destratification)
- Manually control each fan's speed.

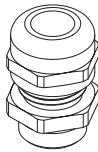
TECHNICAL SPECIFICATIONS

Power Supply	0-10V DC analog from VFD
Dimensions	3"W x 2"H x 5"D
Weight	0.75 lb.
Language Protocol	0-10v signal
User Interface	Rotary dial
Enclosure	ABS plastic
Fans/Control	Single fan control
Power Consumption	0.5W
Connections	6-core shielded wire (included)
Max Cable Length	300 Ft.
Rating	NEMA 4X, IP65

YOKE PACKAGE CONTENTS & ASSEMBLY



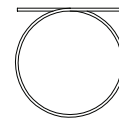
A. Single Yoke Controller (x1)



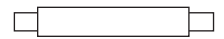
B. Strain Relief Bushing (x1)



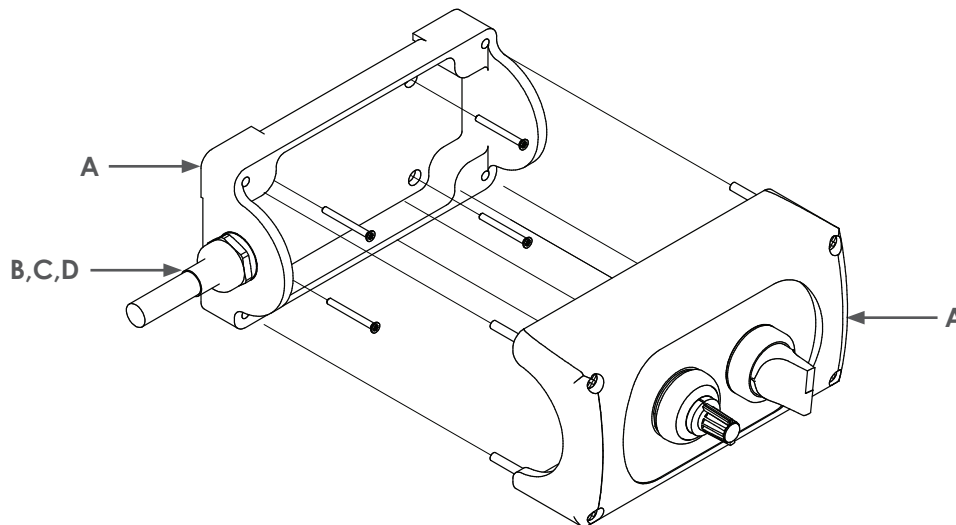
C. Heat-shrink Tubing (x1)



D. Control Cable (100 ft)

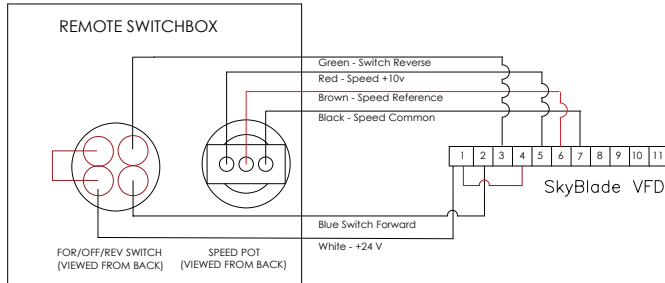


E. 3.5" Jumper (x1)

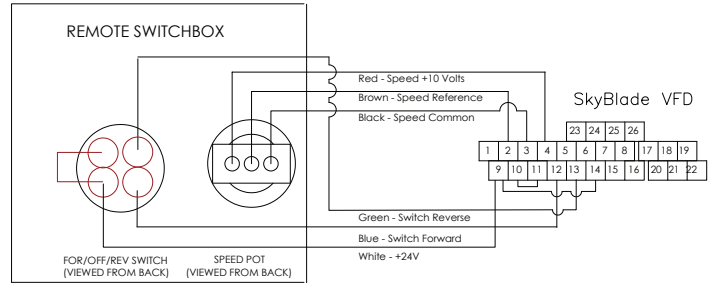


SINGLE YOKE WIRING DIAGRAM - GEARED DRIVE FAN

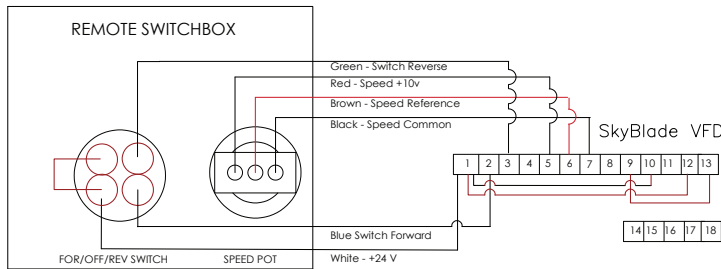
120V/1PH



230V/1PH, 230V/3PH, & 460V/3PH

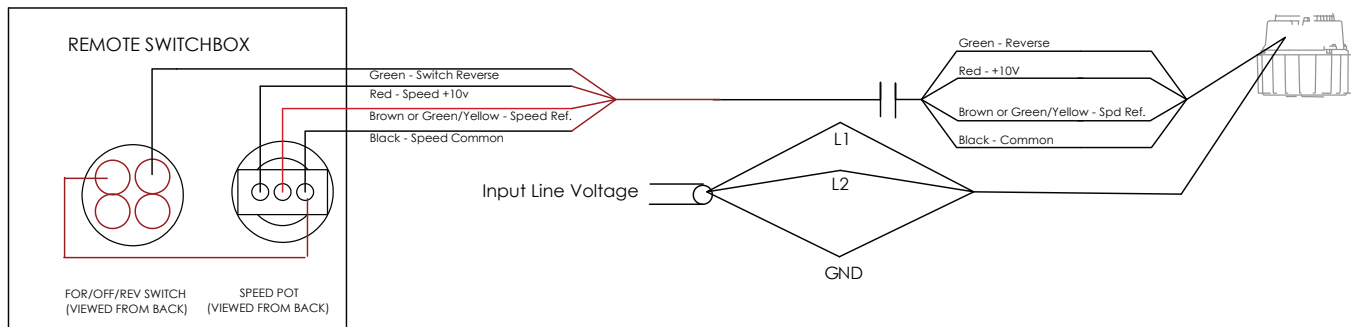


575V/3PH

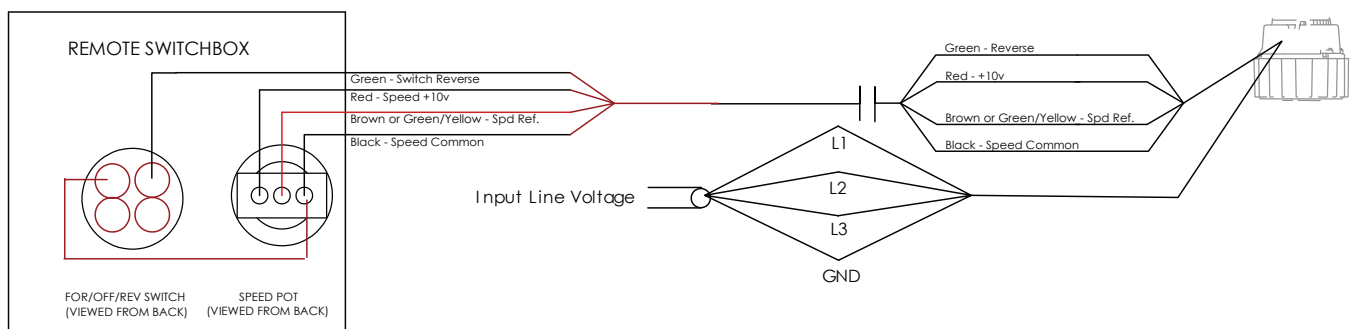


SINGLE YOKE WIRING DIAGRAM - DIRECT DRIVE FAN

120V/1PH & 230V/1PH



230V/3PH & 460V/3 PH



Nu-Way Energy (N.Z.) Limited
 Tel: +64 9 2745111 | 0800 689 296
 sales@nuwayenergy.co.nz
 www.nuwayenergy.co.nz
 6/123 Cryers Road, East Tamaki, Auckland,
 1/9 Craft Place, Middleton, Christchurch

HURLL NU-WAY PTY LTD
 Tel: +61 3 8561 1600 | 1300 556 380
 mail@hnw.com.au | www.hnw.com.au
 P O Box 339 / 14 Aristoc Road,
 GLEN WAVERLEY Vic 3150