

TOUCH 'N' GO PREMIER

7" Digital Touch Screen Multi-Fan Controller

KEY FEATURES

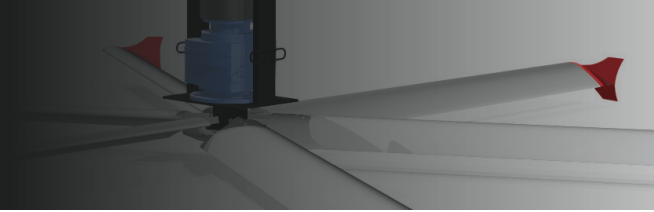
- Control multiple fans in groups or individually
- Operate your fans in either forward or reverse
- 0-100% speed control
- Fully digital interface
- Visual indicators of speed and direction
- Password lockout capability

CONTROLLER SPECIFICATIONS

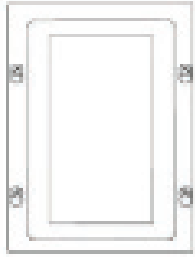
Power Supply	External 24V (supplied)	Luminance	380
Dimensions	4.75"W x 7.125"L x 0.5"D	Fans/Control	Up to 10
Weight	0.5 lb.	Rating	IP30
Language Protocol	0-10v signal/CAN	Display Resolution	272 x 480 pixels
Touchscreen Size	7"	Connection	4 Core Shielded Wire
Enclosure Material	Steel	Max. Cable Length	1,640 Feet (500 meters)

TOUCH 'N' GO PREMIER

Digital, Multi-Fan Controller



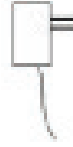
PACKAGE CONTENTS & ASSEMBLY



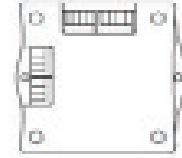
A. TNG Control
(x1)



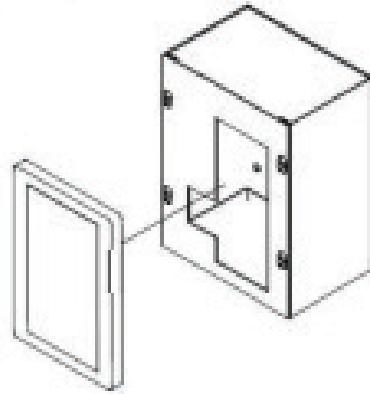
B. Control Cable
(x1)



C. Power Supply

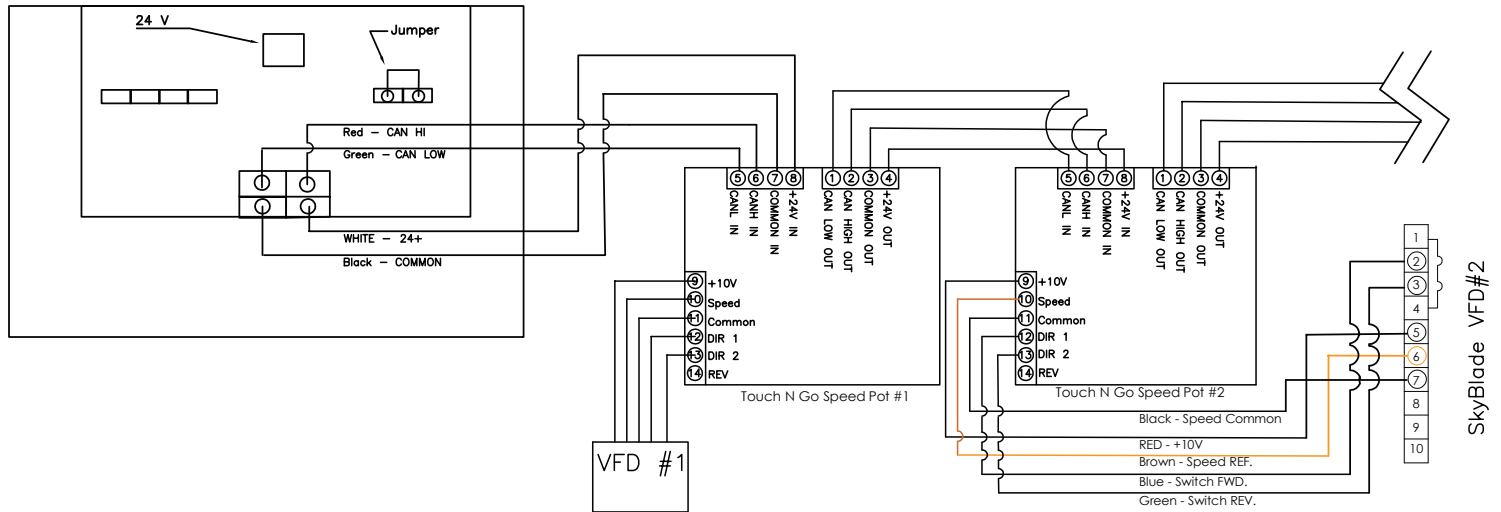


D. Pot Board
(1 per fan)



INTERNAL WIRING DIAGRAMS - GEARED DRIVE

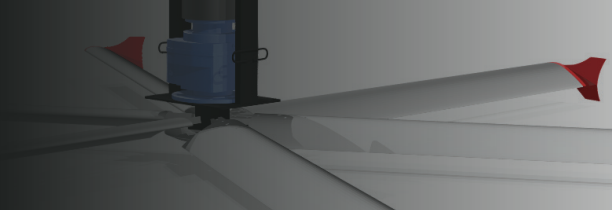
120V/1PH



NOTE: Pot boards must be installed within 15 feet from the fan.

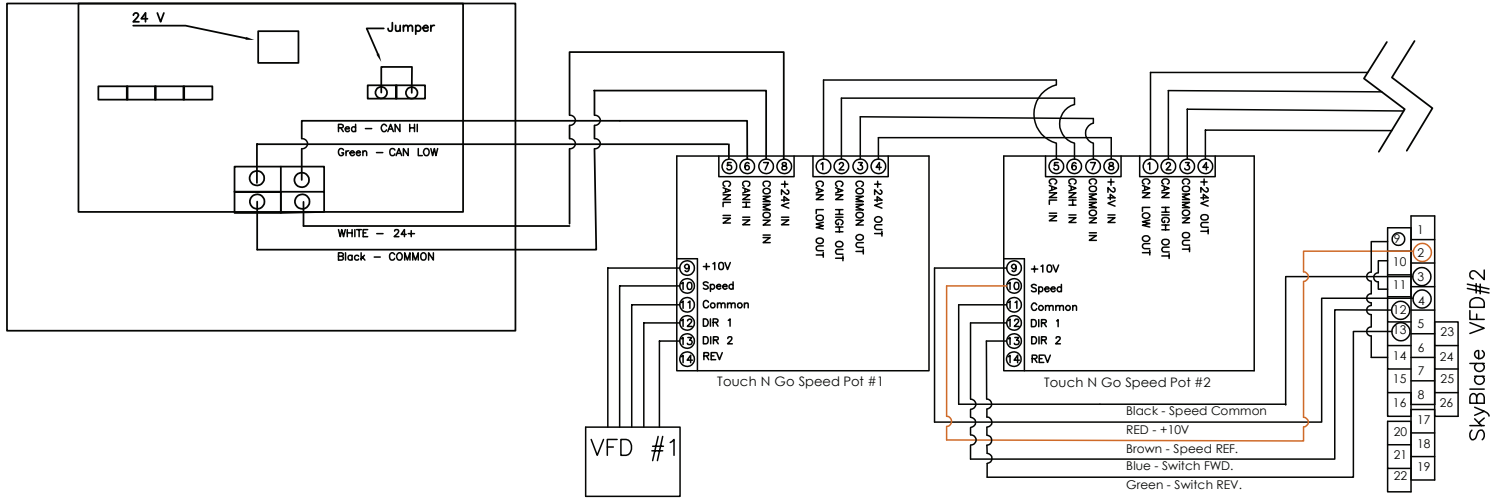
TOUCH 'N' GO PREMIER

Digital, Multi-Fan Controller



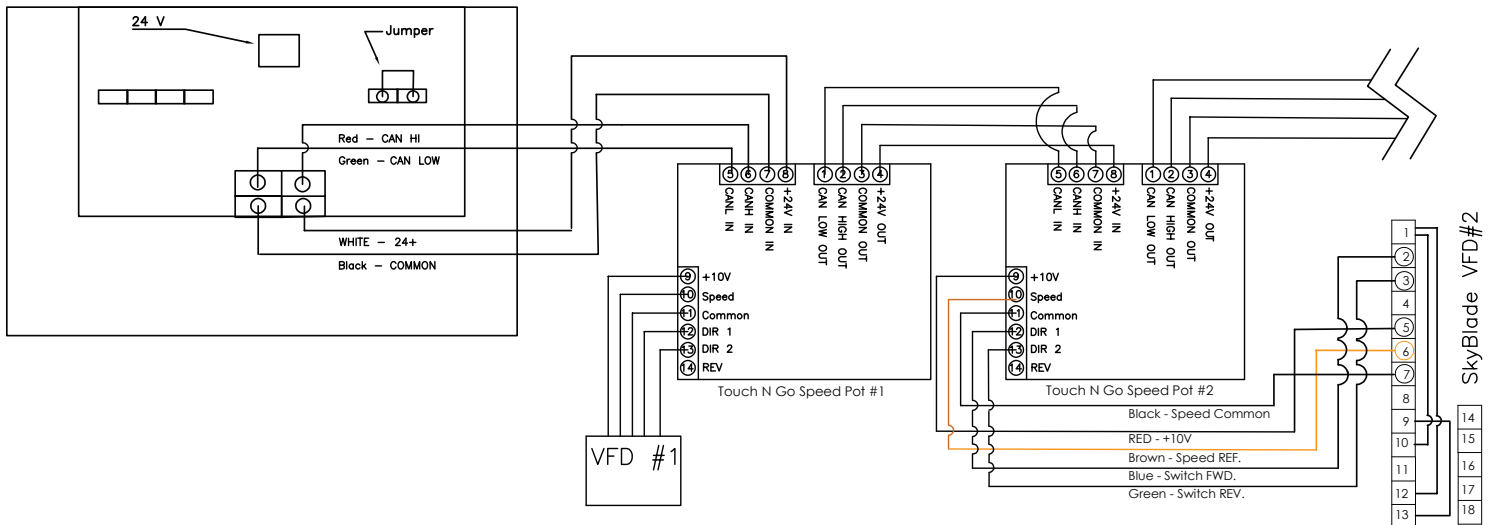
INTERNAL WIRING DIAGRAMS - GEARED DRIVE

230V/1PH, 230V/3PH & 460V/3PH



NOTE: Pot boards must be installed within 15 feet from the fan.

575V/3PH



NOTE: Pot boards must be installed within 15 feet from the fan.

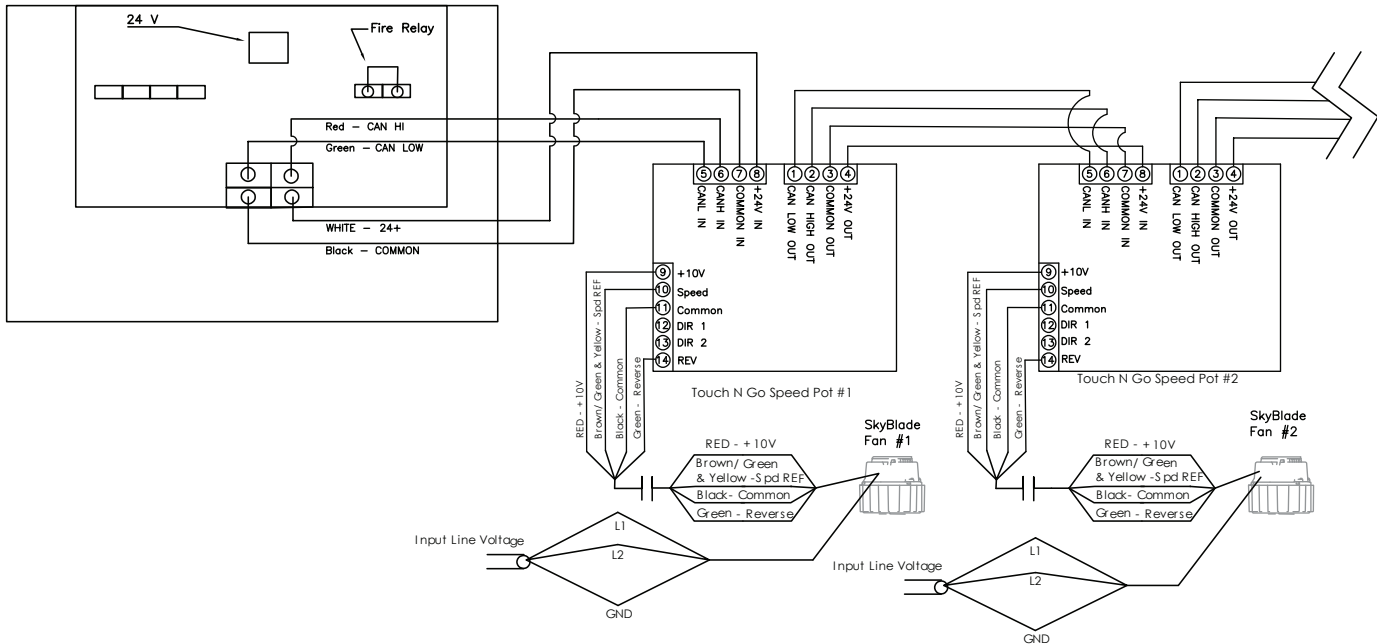
TOUCH 'N' GO PREMIER

Digital, Multi-Fan Controller

INTERNAL WIRING DIAGRAMS - DIRECT DRIVE

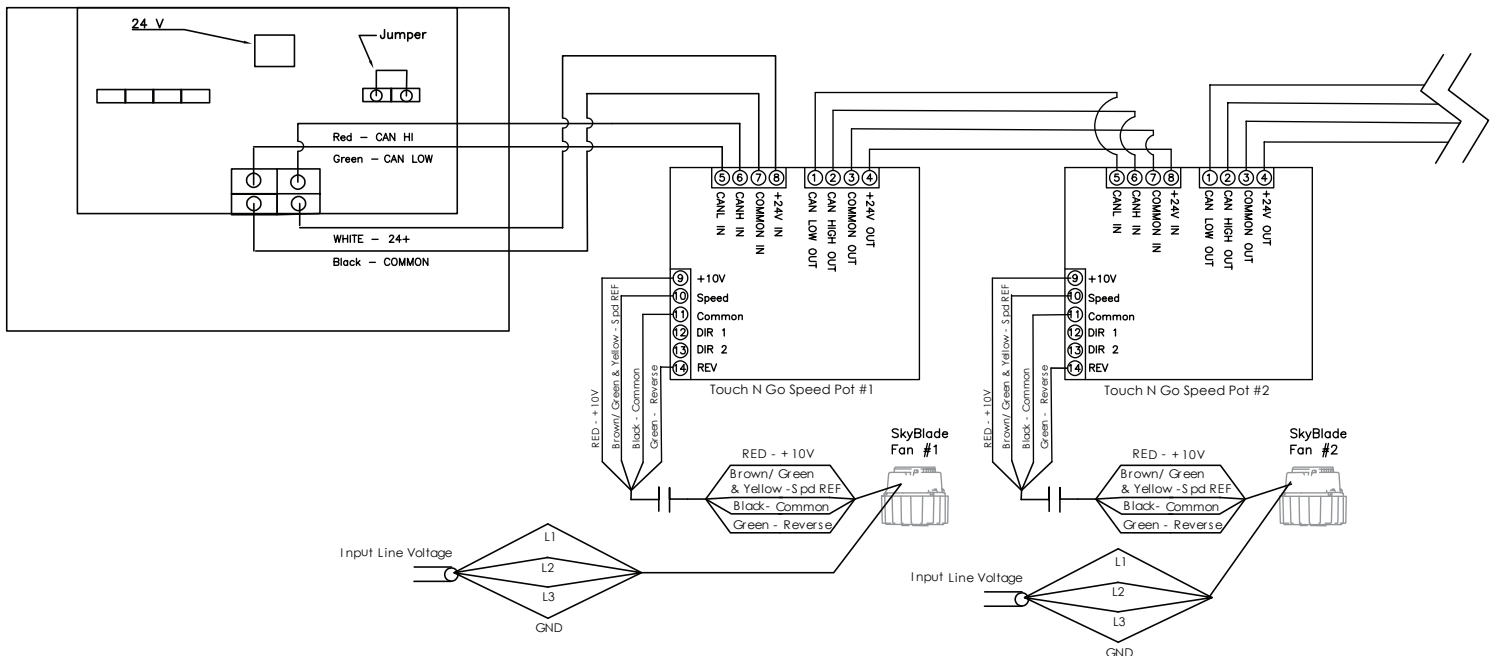
NOTE: Blue and White wire is required to be capped separately down by the pot board.

120V/1PH & 230V/1PH



NOTE: Pot boards must be installed within 15 feet from the fan.

230V/3PH & 460V/3PH



NOTE: Pot boards must be installed within 15 feet from the fan.